

## Cadillac ESCALADE CUSTOM EDITION

Please read this manual and save it with your original sales receipt.  
Tools needed for assembly: Phillips Screwdriver (not included), Assembly Tool (not included), Use only with a Power Wheels® 12 Volt Lead Acid Rechargeable Battery and Power Wheels® 12 Volt Charger with Type 12V Connector (both included). Requires four (4) D-size alkaline batteries (not included) for FM/Radio-Simulated CD Player/Digital Clock/Microphone operation.



Product features may vary from the picture above.



Owner's Manual  
with Assembly  
Instructions  
For Model J2846

**File Name:** cadillac escalade power wheels manual.pdf  
**Size:** 4647 KB  
**Type:** PDF, ePub, eBook  
**Category:** Book  
**Uploaded:** 15 May 2019, 14:27 PM  
**Rating:** 4.6/5 from 770 votes.

**Status: AVAILABLE**

Last checked: 8 Minutes ago!

**In order to read or download cadillac escalade power wheels manual ebook, you need to create a FREE account.**

**[Download Now!](#)**

eBook includes PDF, ePub and Kindle version

[Register a free 1 month Trial Account.](#)

[Download as many books as you like \(Personal use\)](#)

[Cancel the membership at any time if not satisfied.](#)

[Join Over 80000 Happy Readers](#)

### Book Descriptions:

We have made it easy for you to find a PDF Ebooks without any digging. And by having access to our ebooks online or by storing it on your computer, you have convenient answers with cadillac escalade power wheels manual . To get started finding cadillac escalade power wheels manual , you are right to find our website which has a comprehensive collection of manuals listed.

Our library is the biggest of these that have literally hundreds of thousands of different products represented.



## Book Descriptions:

# cadillac escalade power wheels manual



The redesigned model provides all the realistic features kids love, including a spacious interior, “chrome” accents, working doors that really open and close, adjustable seat belts, a real FM radio with MP3 jack, plus the large rear speaker to hear the jammin’ tunes. 12volts of battery power lets kids drive up to 2.5 mph max. speed in forward or reverse, then when ready, the parentcontrolled highspeed lockout can be removed for up to 5 mph max. There’s even room for two riders and tons of storage space in the back for all your adventure gear. To ensure proper operation, please download ALL instruction sheets for your product. Its also affected by the total number of hours the batteries are used. Average battery life is one to three years. It is damaging to the battery when it has been used and then sits without being charged. After a full charge the battery can sit up to twothree months when not in use. Our Service Center locator. The redesigned model provides all the realistic features kids love, including a spacious interior, “chrome” accents, working doors that really open and close, adjustable seat belts, a real FM radio with MP3 jack, plus the large rear speaker to jam to their favorite tunes. 12volts of battery power lets kids drive up to 2.5 mph max. speed in forward or reverse, then when ready, the parentcontrolled highspeed lockout can be removed for up to 5 mph max. There’s even room for two riders and tons of storage space in the back for all your adventure gear! To ensure proper operation, please download ALL instruction sheets for your product. Its also affected by the total number of hours the batteries are used. Use only with a BARBIE Sun Jammer Owners Manual With Assembly Instructions Tools needed for assembly Phillips Screwdriver not included; Assembly Tool included. Most interior flooring can be damaged by riding this vehicle indoors. FisherPrice not be responsible for damage to the floor if the vehicle is used indoors. <http://chromowane.com/userfiles/dg1648zd-manual.xml>

- **cadillac escalade power wheels manual, power wheels barbie cadillac escalade manual, power wheels cadillac escalade instruction manual, fisher price power wheels cadillac escalade manual, 1.0, cadillac escalade power wheels manual, power wheels barbie cadillac escalade manual, power wheels cadillac escalade instruction manual, fisher price power wheels cadillac escalade manual.**

# Cadillac ESCALADE

**CUSTOM EDITION**

Please read this manual and save it with your original sales receipt.  
Tools needed for assembly: Phillips Screwdriver (not included); Assembly Tool (included). Use only with a Power Wheels® 12 Volt Lead-Acid Rechargeable Battery and Power Wheels® 12 Volt Charger with Type 12V Connector (both included). Requires four (4) 1.5R44 alkaline batteries (not included) for FM/Radio/Simulated CD Player/Digital Clock/Microphone operation.



Product features may vary from the picture above.



**Owner's Manual  
with Assembly  
Instructions**

For Model J5246

Alterations could cause a fire resulting in serious injury and could also ruin the electrical system. Note Tighten and loosen all screws with a Phillips screwdriver. Vehicle Door Plates 2 Front End Seat Bumper Short Seat Belts 2 Headlight Covers 2 Long Seat Belt Headlights 2 Wings 2 Doors 2 Front Wheels 2 Hood Wheel Covers 2. Alterations could cause a fire resulting in serious injury and could also ruin the electrical system. Hint There is a left and right door. They are designed to be assembled one way. IMPORTANT! Turn the vehicle on its side or over to complete assembly steps 2328. Metal Steering Bar Hole Column. Use of any other battery will damage your vehicle. Make sure that you charge the battery for at least 18 hours using the enclosed Power Wheels charger before operating your vehicle for the first time. Charge the battery for at least 14 hours after each use of the vehicle. See information below for proper disposal. If acid comes in contact with skin or eyes, flush with cool water for at least 15 minutes and call a physician. These areas must be away from swimming pools and other bodies of water to prevent drownings generally level to prevent tipovers away from steps, steep inclines, cars, roads and alleys. Most interior flooring can be damaged by riding this vehicle indoors. Beginner Use Low Speed Drive As assembled, your vehicle is ready to roll in low speed mph, maximum. Operation is subject to the following two conditions 1 this device may not cause harmful interference and 2 this device must accept any interference received, including interference that may cause undesired operation. If you still experience a problem, please contact Power Wheels EST Monday through Friday and 11 AM and 5 PM EST Saturday. Or, contact your local Power Wheels For the location nearest you, please visit us online at [www.powerwheels.com](http://www.powerwheels.com), or call 18003480751. <http://diversecityuk.com/userfiles/dg2020-manual.xml>

# Cadillac ESCALADE

**CUSTOM EDITION**

Please read this manual and save it with your original sales receipt.  
Tools needed for assembly: Phillips Screwdriver (not included); Assembly Tool (included). Use only with a Power Wheels® 12 Volt Lead-Acid Rechargeable Battery and Power Wheels® 12 Volt Charger with Type 12V Connector (both included). Requires four "C" 1.5R44 alkaline batteries (not included) for FM/Radio/Simulated CD Player/Digital Cook/Microphone operation.



Product features may vary from the picture above.

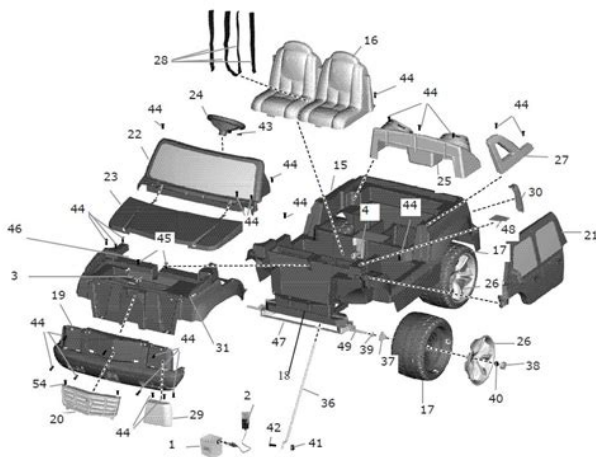


**Owner's Manual  
with Assembly  
Instructions**  
For Model J5246

Use only with BARBIE Sun Jammer Owners Manual With Assembly Instructions Tools needed for assembly Phillips Screwdriver not included; Assembly Tool included. Most interior flooring can be damaged by riding this vehicle indoors. Alterations could cause a fire resulting in serious injury and could also ruin the electrical system. Vehicle Grille PARTS. Note Tighten and loosen all screws with a Phillips screwdriver. Alterations could cause a fire resulting in serious injury and could also ruin the electrical system. Use the charger only in a wall outlet. Do not plug the charger into a ceiling outlet. Hint There is a left and right door. J5246pr0921 ASSEMBLY IMPORTANT. Turn the vehicle on its side or over to complete. Next, apply the outside edge of the label to the side of the vehicle. Hint If the connectors do not fit together, do not force them. Simply turn one of them over and try again. See information below for proper disposal. If acid comes in contact with skin or eyes, flush with cool water for at least 15 minutes and call a physician. These areas must be away from swimming pools and other bodies of water to prevent drownings generally level to prevent tipovers away from steps, steep inclines, cars, roads and alleys. Most interior floor ing can be damaged by riding this vehicle indoors. FisherPrice will not be responsible for damage to the floor if the vehicle is used indoors. Beginner Use Low Speed Drive As assembled, your vehicle is ready to roll in low speed mph, maximum. The Simulated CD Player will turn off automatically after about 10 minutes of nonuse. Three lights means the 12 volt battery is 75% mostly charged. Two lights means the 12 volt battery is 50% charged. These limits are designed to provide reasonable protection against harmful interference in a residential installation. If you still experience a problem, please contact Power Wheels Friday and 11 AM and 5 PM EST Saturday. Or, contact your local Power Wheels please visit us online at [www](http://www.powerwheels.com).

[powerwheels.com](http://powerwheels.com), or call 18003480751. FisherPrice and Power Wheels are US trademarks of Mattel, Inc. Using the online preview, you can quickly view the contents and go to the page where you will find the solution to your problem with FisherPrice CADILLAC ESCALADE CUSTOM EDITION POWER WHEELS N8417. To start viewing the user manual FisherPrice CADILLAC ESCALADE CUSTOM EDITION POWER WHEELS N8417 on full screen, use the button Fullscreen. However, if you do not want to take up too much of your disk space, you can always download it in the future from ManualsBase. The option to print the manual has also been provided, and you can use it by clicking the link above Print the manual. You do not have to print the entire manual

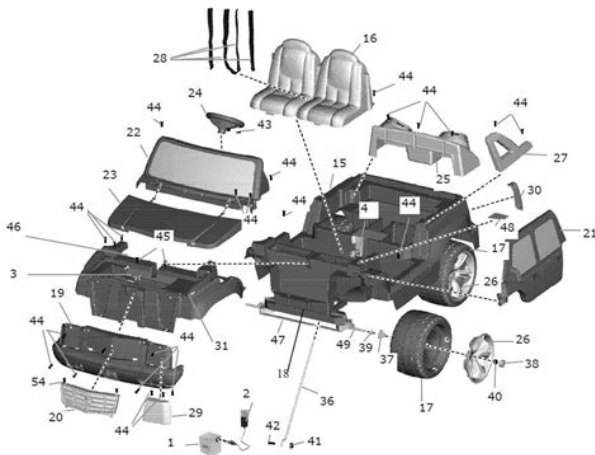
FisherPrice CADILLAC ESCALADE CUSTOM EDITION POWER WHEELS N8417 but the selected pages only. paper. If you want to quickly view the content of pages found on the following pages of the manual, you can use them. You can unsubscribe at anytime. Subscribe Personal information provided may be collected, used and disclosed in accordance with our Privacy Policy Connect with Us Connect with us on your favourite social networks. We'll let you know what we're up to, and you can tell us how we're doing. It was Cadillacs first major entry into the SUV market. The Escalade was introduced for the 1999 model year in response to competition from the MercedesBenz MLClass and Lexus LX and to Fords 1998 release of the Lincoln Navigator. The Escalade project went into production only ten months after it was approved. The Escalade is built in Arlington, Texas. Escalade production was skipped for the 2001 model year. The Escalade ESV based on the Chevrolet Suburban and its former sibling the Escalade EXT based on the Avalanche sport utility truck were made in Silao, Mexico, before the 2007 redesign; the new Escalade ESV is sourced from Arlington, Texas.



<http://superbia.lgbt/flotaganis/1647882537>

It is Cadillac's largest luxury oriented, passenger and loadcarrying vehicle, which was a niche previously filled by the Cadillac Commercial Chassis. This generation was only a five-seat SUV. Fearing the growing hegemony of the Lincoln Navigator, the Escalade was rushed through the design process to reach dealers quickly. Essentially little more than a badge-engineered GMC Yukon Denali, the SUV's aesthetics were similar to the Denali and the final vehicle was smaller than the Navigator. The Escalade's underpinnings were borrowed from the Yukon Denali line, with the GMC logos on the center caps replaced with Cadillac's crest. The Escalade also used the same 5.7 L Vortec 5700 V8 at 255 hp 190 kW, which was underpowered compared to the Navigator's 300 hp 224 kW and 365 lbft 495 Nm 5.4 Liter InTech V8. All first-generation Escalades featured AutoTrac selectable 4x4. The GMC Yukon Denali included a unique front fascia and front and rear bumpers to differentiate it from its nonluxury cousin, the GMC Suburban. The only other physical differences between the first-generation Cadillac Escalade and GMC Yukon Denali were the emblems on the front grilles, front doors, rear tailgates, steering wheels, and front seat embroidery. Rear-wheel drive was standard, as was a 5.3 L V8. All-wheel drive was standard on the ESV and EXT, and was optional on the short wheelbase Escalade. The special high-output Vortec 6.0 L V8 engine was the sole engine choice on all-wheel drive models whether it was the short wheel base, ESV, or EXT until 2005 when the 5.3L was dropped altogether. In 2005 all rear-wheel drive and all-wheel drive Escalades came with the high output 6.0L Vortec V8. All models except for the EXT offered seating up to eight people. The OnStar system was upgraded for the 2005 model year and had become a digital system instead of the analog system that had been in use. The regular Escalade was again joined by a stretched ESV version as well as a new EXT sport utility truck.

<https://cjb-clinicalmarketing.com/images/briggs-and-stratton-4.0-hp-quattro-manual.pdf>



The 2006 Escalade was the official vehicle of Super Bowl XL, with MVP Hines Ward being awarded one of the first Escalades produced. The more expensive allwheel drive version was produced first, followed by the long wheelbase ESV and EXT pickup the latter sourced from the Silao, Mexico, plant in June. The system adjusts both intake and exhaust timing between two settings. A new sixspeed 6L80 automatic transmission is used. The new body completes a 0.363 drag coefficient. On its own, the V8 is rated at 332 hp 248 kW at 5,100 rpm and 367 lbft 498 Nm at 4,100 rpm. GM engineers say that combined output with the electric motors is 379 hp. The unique transmission houses the electric motors along with three different planetary gear sets and four traditional clutches. The Platinum adds on a DVD entertainment system, navigation system, heated and cooled cup holders, rearview camera, cooled front seats, upgraded leather Tehama front and secondrow upholstery, and powerretractable running boards. However, the GM logo is still applied on the early 2010 models. The interior now has a handcrafted design that features cutandsewn and wrapped materials, with wood trim options. Earlier produced 2016 Escalade vehicles feature the wreath design. The only changes made are the deletion of the Manhattan Noir Metallic and Bronze Dune Metallic color palette and the addition of the Dark Mocha Metallic color. The dealerordered Escalade Noir package is also eliminated after being offered for only a year. This version will be similar to the Russianbuilt Chevrolet Tahoe, featuring the 6.2L V8 EcoTec3 engine and the Tahoes semiCKD assembled designs; the ESV also marked the first time an extendedlength base model has been offered in this region. GM recently hired Infinitis Johan de Nysschen to serve as Cadillac president and help revitalize the brand.

<http://dkc1burgas.com/images/briggs-and-stratton-4.5-hp-engine-manual.pdf>



June 2014 shipments showed Cadillac down a few percent for the year, however the Escalade was among the biggest winners with a 74percent sales jump, and was one of Cadillacs best sellers the following July. Even customers who placed orders as far as February 2014 are still waiting for the vehicles according to the dealerships owners. The interior choices will consist of eight trim options and four unique seating designs. The AKG audio technology system is new, featuring 36 speakers throughout the cabin. It will be built on GMs new electric architecture and use its new Ultium battery technology, sharing its platform with the GMC Hummer EV. This architecture allows for battery packs as large as 200 kWh, making as much as 1000 hp using a threemotor setup driving both the front and rear axles. Like the Avalanche, the EXT has four fullsize doors and seating for five. Highintensity discharge headlights were offered for 2003. The Escalade EXT also appears in the movie, The Matrix Reloaded along with the CTS in product placement ads. All Escalade EXTs were built in Mexico. It had competed with the Lincoln Mark LT now discontinued in the United States and Canada , another F150based pickup truck that made its debut in 2005. It now competes with the Ford F150 Platinum, which is still known as the Lincoln Mark LT in Mexico. It was only available in the ESV model. Archived from the original on December 25, 2010. Retrieved December 25, 2010. Retrieved 30 September 2015. Retrieved 20101003. By using this site, you agree to the Terms of Use and Privacy Policy. Power Wheels, Wheel Horse Customer Review Price Low to High Price High to Low Replace retainer caps when replacing vehicle tires. Used to replace black retaining caps on all Power Wheels brand vehicles, including Bigfoot, Barbie, Jeep,. Genuine Power Wheels parts Includes 2 replacement Drive Wheels 2 Retainer Caps 1 S6V Battery A Style 1 Battery.

Genuine Power Wheels parts Includes 2 replacement Drive Wheels 2 Retainer Caps 1 S6V Battery A Style 1 Battery. Genuine Power Wheels parts Includes 2 replacement Drive Wheels 2 Retainer Caps 1 S6V Battery A Style 1. Fits Power Wheel Models T3264 Jeep Hurricane Original part number 008011661.. Fits Power Wheel Models N2273 Jeep Hurricane Rust Original part number 008011661. J4394 Hurricane. Unfortunately, this is how we pay the bills and our authors. We would love for you to enjoy our content, weve worked hard on providing it. Please whitelist our site in your adblocker, refresh the page, and enjoy! The following steps explain how to do so safely. Batteries also contain other chemicals known to the State of California to cause cancer. General Motors strongly advises that you wash your hands after handling. They can be dangerous because they contain acid that can burn you, they contain gas that can explode or ignite, they contain enough electricity to burn you. If you do not follow these steps exactly, some or all of these things can hurt you. Trying to start the vehicle by pushing or pulling it will not work, and it could damage the vehicle. GM Authority shall not be held responsible for any potential damages to your vehicle, yourself, or others as result of these instructions. It must have a 12volt battery with a negative ground system. Only use a vehicle

that has a 12volt system with a negative ground for jump starting. Be sure the vehicles are not touching each other. If they are, it could cause an unwanted ground connection. You would not be able to start your vehicle, and the bad grounding could damage the electrical systems of the vehicles. To avoid the possibility of the vehicles rolling, set the parking brake firmly on both vehicles involved in the jump start procedure. Put the automatic transmission in P Park or a manual transmission in Neutral before setting the parking brake.

<https://www.sevgiliyevideo.net/wp-content/plugins/formcraft/file-upload/server/content/files/1626f6e6bae295--bose-123-manual-pdf.pdf>

If you have a fourwheeldrive vehicle, be sure the transfer case is in a drive gear, not in N Neutral. Put the shift lever in P Park with an automatic transmission, or Neutral with a manual transmission. For vehicles with fourwheeldrive with a N Neutral transfer case position, be sure the transfer case is in a drive gear — not N Neutral. Unplug unnecessary accessories plugged into the accessory power outlets. Turn off the radio and all the lamps that are not needed. This will avoid sparks and help save both batteries. It could also save the radio presets and clock setting. Whenever possible, turn off or unplug all accessories on either vehicle when jump starting. Keep hands, clothing, and tools away from any underhood electric fan. People have been hurt doing this, and some have been blinded. Use a flashlight if you need more light. Battery fluid contains acid that can burn you. Do not get it on you. If you accidentally get it in your eyes or on your skin, flush the place with water and get medical help immediately. Keep your hands away from moving parts once the engine is running. If they do, you could get a shock and the vehicles could also be damaged. Use a remote negative terminal if the vehicle has one. Do not let the other end touch anything until the next step. If it will not start after a few tries, it probably needs service. After starting the disabled vehicle and removing the jumper cables, allow it to idle for several minutes. The repairs would not be covered by the vehicle warranty. Always connect and remove the jumper cables in the correct order, making sure that the cables do not touch each other or other metal. We also invite you to join other enthusiasts and fans in discussing The General in our GM Forums. Please note that GM Authority is a product of Motrolix LLC and is not sponsored, owned, or in any other way condoned by General Motors Company, its brands, subsidiaries, or partners. We also encourage you to check out our sister publications.

Full functionality requires compatible Bluetooth and smartphone, and USB connectivityTo check for phone or other device. Connected Access services are subject to change. Does not include safety services. See onstar.com forVisit onstar.com for details and system limitations. Message and data rates may apply. Requires active service, email address on file and enrollment in Vehicle Diagnostics.OnDemand Diagnostics requires a paid service plan. 7. Visit onstar.com for coverage map, details and system limitations. Services vary by model. Service plan required. 8. Map coverage available in the UnitedYou will be charged at thencurrent rates. Fees and taxes apply. To cancel, you must callAll rights reserved. 10. A NOTE ON CHILD SAFETY Always use seat beltsEven in vehicles equipped with the Passenger Sensing System, children are safer when properly secured in a rear seat in the appropriate infant, child or booster seat.See your vehicle Owner’s Manual and child safety seat instructions for more safety information. 11. Service varies with conditionsVisit onstar.com for details. 12. Visit onstar.com for system limitations and details.OnStar links to emergency services. 13. Read the vehicle Owner’s Manual for important feature limitations and information. Advertised prices cannot be used in conjunction with internet pricing, special APR programs, dealer cash back when available, lease programs, and cannot be combined with any other offers. Special APR programs are with approved credit only. All offers are mutually exclusive. All vehicles subject to prior sale. Prices do not include dealer installed options.Artwork for illustration purposes only. Must complete retail sale from dealer stock by month end. Dealer is not responsible for typographical errors.Accessories and color may vary. Quoted price subject to change without notice to correct errors or omissions. Please contact dealer by email or phone for details and



availability of special offers.

All information is gathered from sources that are believed to be reliable, but no assurance can be given that this information is complete and neither Morse Operations, Inc. Use for comparison purposes only. Forgot username or password. Not a member Join today Need further assistance. Please call Member Services at 18003330663 Consumer Reports finds that this hightech dashboard interface looks better in a showroom than it works out in the world. If you want NextDay, we can save the other items for later. Order by, and we can deliver your NextDay items by. You won't get NextDay delivery on this order because your cart contains items that aren't "NextDay eligible". In your cart, save the other items for later in order to get NextDay delivery. Oops! There was a problem with saving your items for later. You can go to cart and save for later there. With a spacious and comfortable interior, stylish chrome accents, doors that really open and close, and a real working radio with an MP3 jack, kids will feel like they're driving the real thing. A 12Volt battery lets kids drive up to 5 mph max. There's even a storage compartment in the back for all their on-the-go gear. About This Item We aim to show you accurate product information. Manufacturers, See our disclaimer Your young driver will be the envy of the neighborhood with this stylish ride. The Power Wheels Barbie Cadillac Escalade has all the luxury and excitement of a Cadillac with the added fun of Barbie colors and graphics. With a spacious and comfortable interior, stylish chrome accents, doors that really open and close, and a real working radio with an MP3 jack, kids will feel like they're driving the real thing. Ask a question Ask a question If you would like to share feedback with us about pricing, delivery or other customer service issues, please contact customer service directly. So if you find a current lower price from an online retailer on an identical, in-stock product, tell us and we'll match it.

See more details at Online Price Match. All Rights Reserved. To ensure we are able to help you as best we can, please include your reference number Feedback Thank you for signing up. You will receive an email shortly at Here at Walmart.com, we are committed to protecting your privacy. Your email address will never be sold or distributed to a third party for any reason. If you need immediate assistance, please contact Customer Care. Thank you Your feedback helps us make Walmart shopping better for millions of customers. OK Thank you! Your feedback helps us make Walmart shopping better for millions of customers. Sorry. We're having technical issues, but we'll be back in a flash. Done. And by having access to our ebooks online or by storing it on your computer, you have convenient answers with Fisher Price Power Wheels Cadillac Escalade Manual. To get started finding Fisher Price Power Wheels Cadillac Escalade Manual, you are right to find our website which has a comprehensive collection of manuals listed. Our library is the biggest of these that have literally hundreds of thousands of different products represented. I get my most wanted eBook Many thanks If there is a survey it only takes 5 minutes, try any survey which works for you.

<http://gbb.global/blog/3m-s-867-manual>